

NOTICE - PROPRIETARY INFORMATION
 THE DESIGN AND RELATED INFORMATION CONTAINED HEREIN IS THE SOLE PROPERTY OF NUTFIELD TECHNOLOGY. THE DISCLOSURE OF THIS INFORMATION DOES NOT CONSTITUTE THE RELEASE OF ANY PROPRIETARY RIGHTS THEREIN. PERMISSION TO REPRODUCE THIS INFORMATION OR THE PRODUCTS DISCLOSED HEREIN MUST BE OBTAINED IN WRITING FROM NUTFIELD TECHNOLOGY.

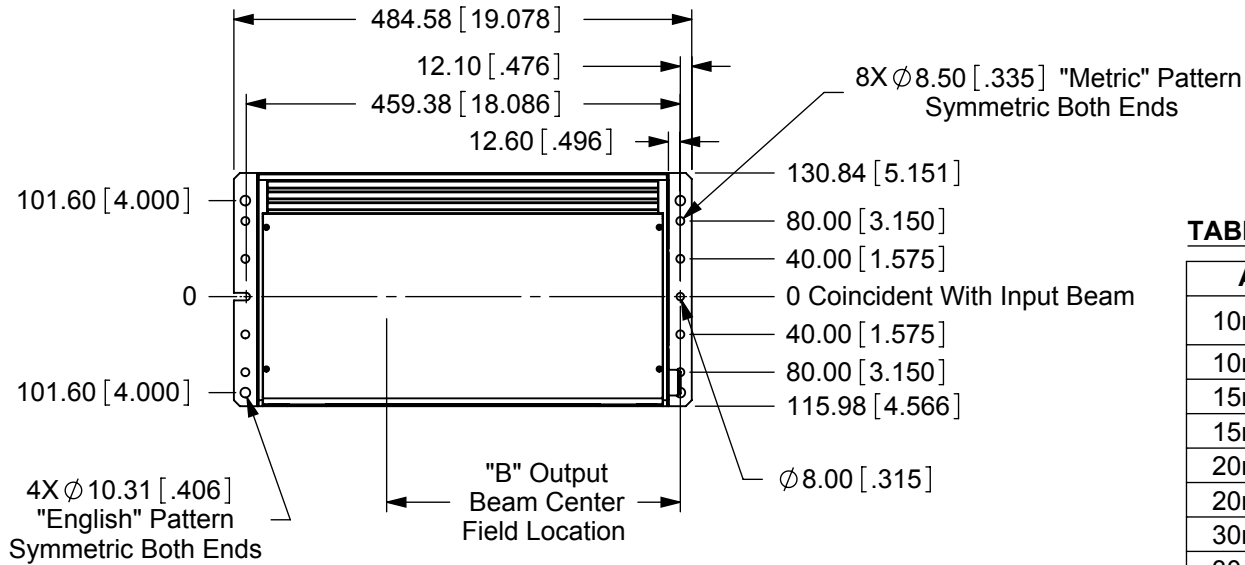
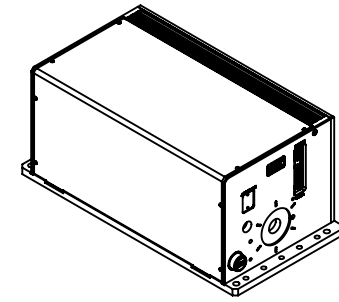
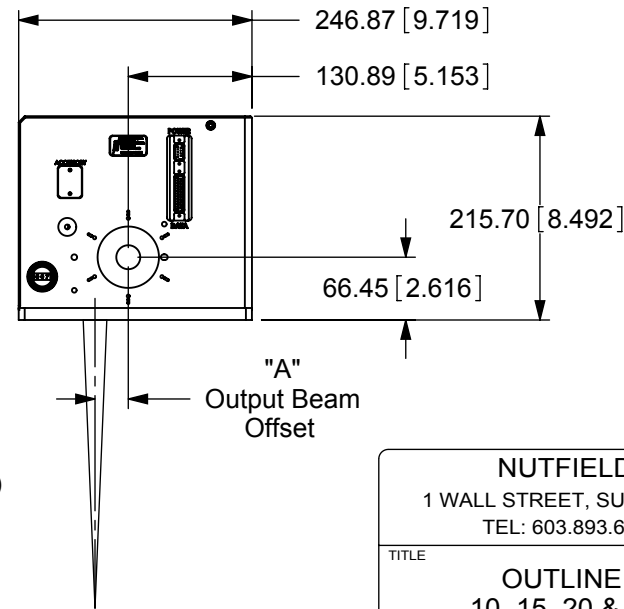
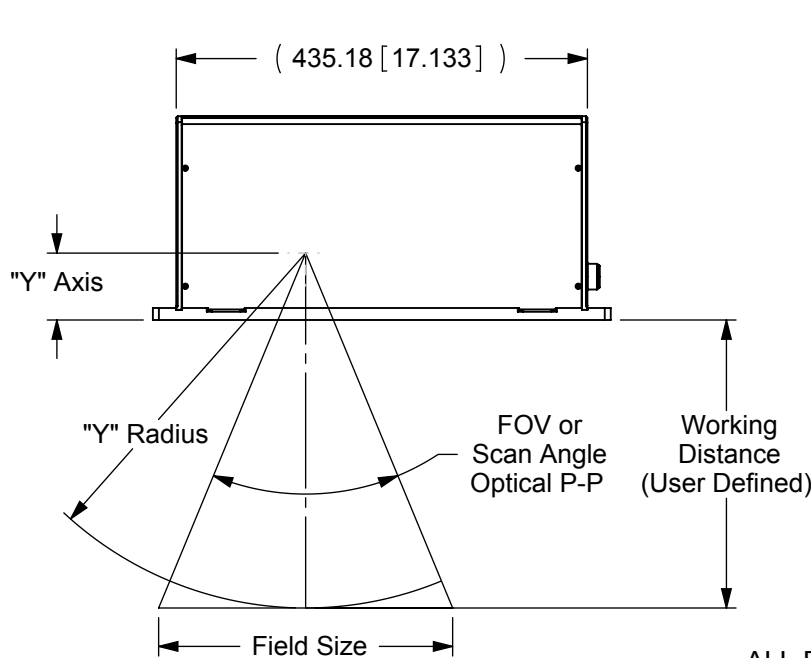


TABLE 1, Output Beam & Y Axis Offsets (mm)

Aperture	"A"	"B"	"Y"
10mm	13.3	310.8	70.8
10mm CO2	13.4	311.0	70.8
15mm	19.1	310.8	72.7
15mm CO2	19.3	311.1	72.7
20mm	24.6	309.9	74.5
20mm CO2	24.9	310.6	74.5
30mm	35.2	310.3	77.3
30mm CO2	35.5	310.6	77.3



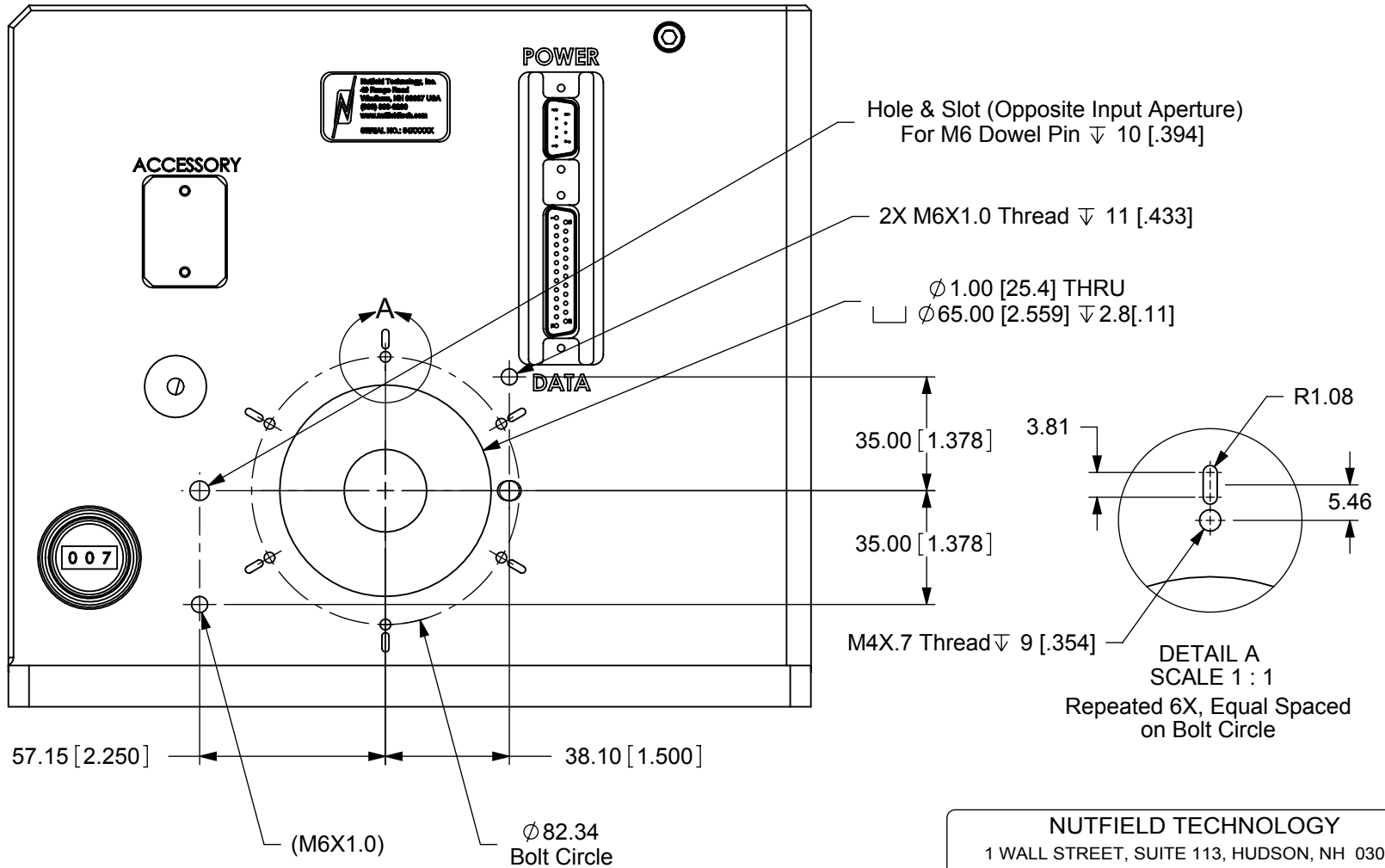
ALL DIMENSIONS ARE IN in[mm]

NUTFIELD TECHNOLOGY
 1 WALL STREET, SUITE 113, HUDSON, NH 03051
 TEL: 603.893.6200 FAX: 603.893.6214

TITLE
OUTLINE DRAWING, 3XB
10, 15, 20 & 30mm APERTURE

SIZE	SHEET	DRAWN BY	DATE	DRAWING NUMBER	REV
A	1 OF 3	b.daly	23/Dec/08	82-0102	B

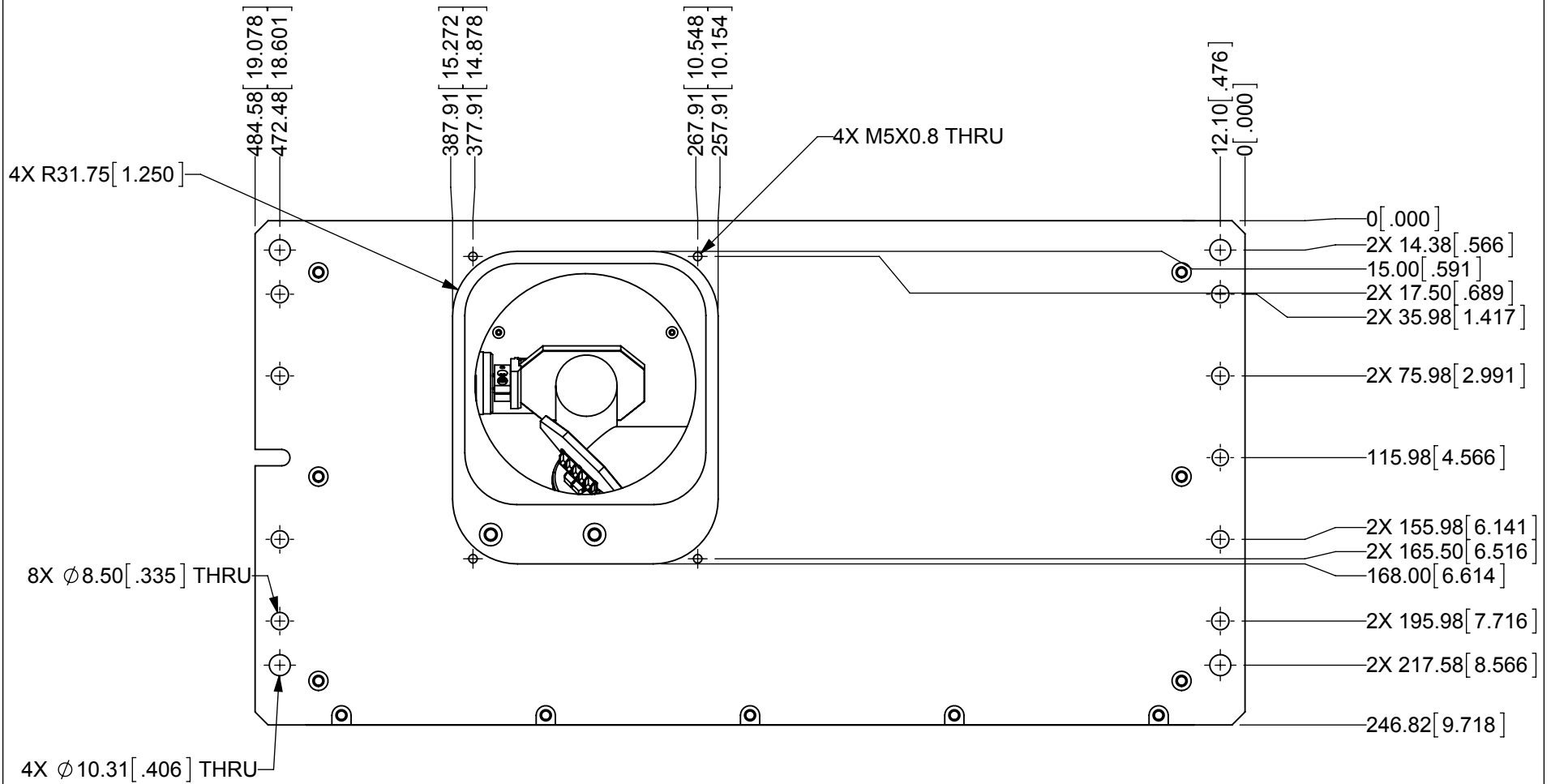
NOTICE - PROPRIETARY INFORMATION
 THE DESIGN AND RELATED INFORMATION CONTAINED HEREIN IS THE SOLE PROPERTY OF NUTFIELD TECHNOLOGY. THE DISCLOSURE OF THIS INFORMATION DOES NOT CONSTITUTE THE RELEASE OF ANY PROPRIETARY RIGHTS THEREIN. PERMISSION TO REPRODUCE THIS INFORMATION OR THE PRODUCTS DISCLOSED HEREIN MUST BE OBTAINED IN WRITING FROM NUTFIELD TECHNOLOGY.



ALL DIMENSIONS ARE IN in[mm]

NUTFIELD TECHNOLOGY					
1 WALL STREET, SUITE 113, HUDSON, NH 03051					
TEL: 603.893.6200 FAX: 603.893.6214					
TITLE					
OUTLINE DRAWING, 3XB					
10, 15, 20 & 30mm APERTURE					
SIZE	SHEET	DRAWN BY	DATE	DRAWING NUMBER	REV
A	2 OF 3	b.daly	23/Dec/08	82-0102	B

NOTICE - PROPRIETARY INFORMATION
 THE DESIGN AND RELATED INFORMATION CONTAINED HEREIN IS THE SOLE PROPERTY OF NUTFIELD TECHNOLOGY. THE DISCLOSURE OF THIS INFORMATION DOES NOT CONSTITUTE THE RELEASE OF ANY PROPRIETARY RIGHTS THEREIN. PERMISSION TO REPRODUCE THIS INFORMATION OR THE PRODUCTS DISCLOSED HEREIN MUST BE OBTAINED IN WRITING FROM NUTFIELD TECHNOLOGY.



NUTFIELD TECHNOLOGY 1 WALL STREET, SUITE 113, HUDSON, NH 03051 TEL: 603.893.6200 FAX: 603.893.6214					
TITLE OUTLINE DRAWING, 3XB 10, 15, 20 & 30mm APERTURE					
SIZE	SHEET	DRAWN BY	DATE	DRAWING NUMBER	REV
A	3 OF 3	b.daly	23/Dec/08	82-0102	B

ALL DIMENSIONS ARE IN in[mm]