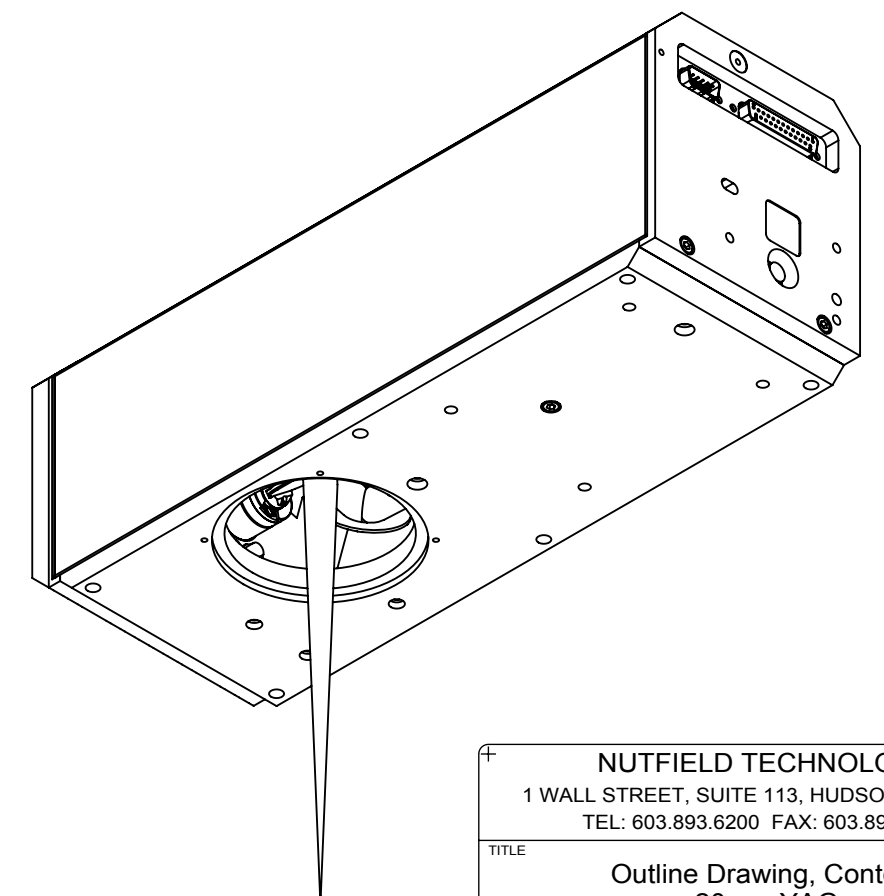
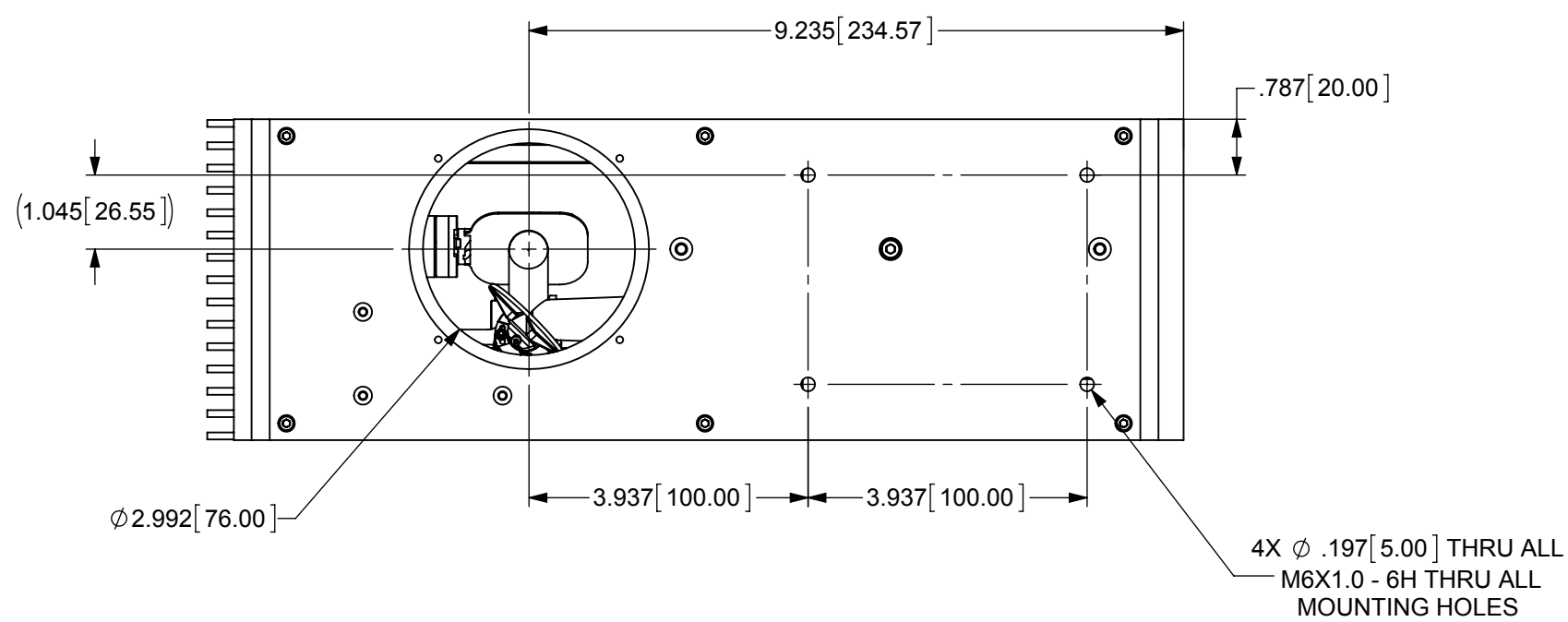
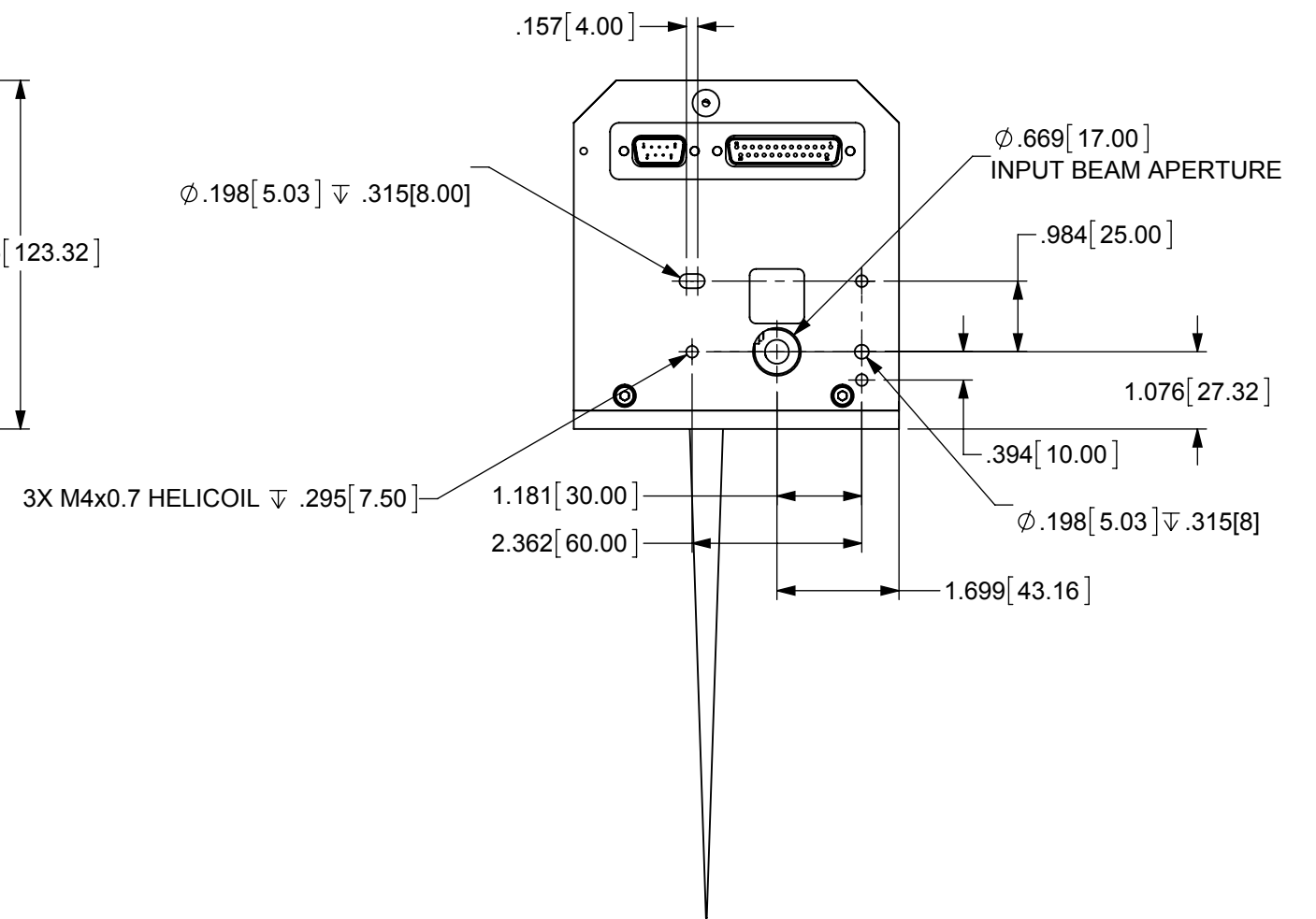
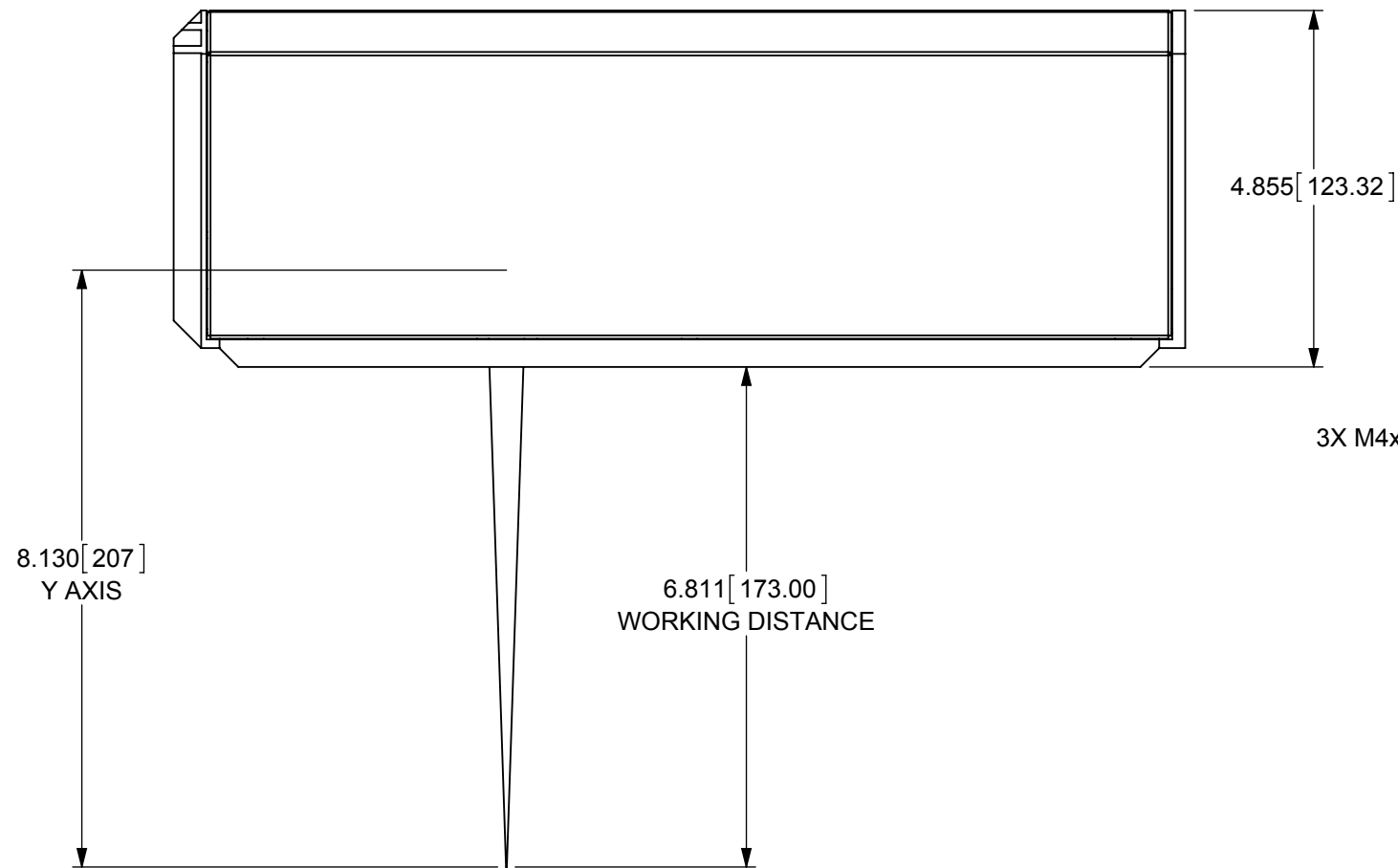
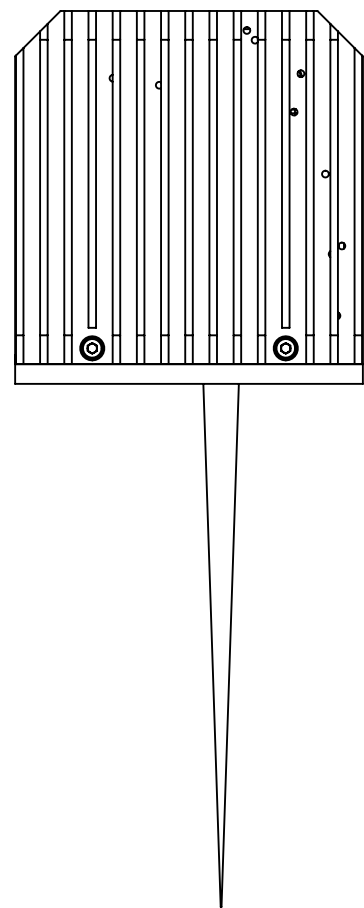
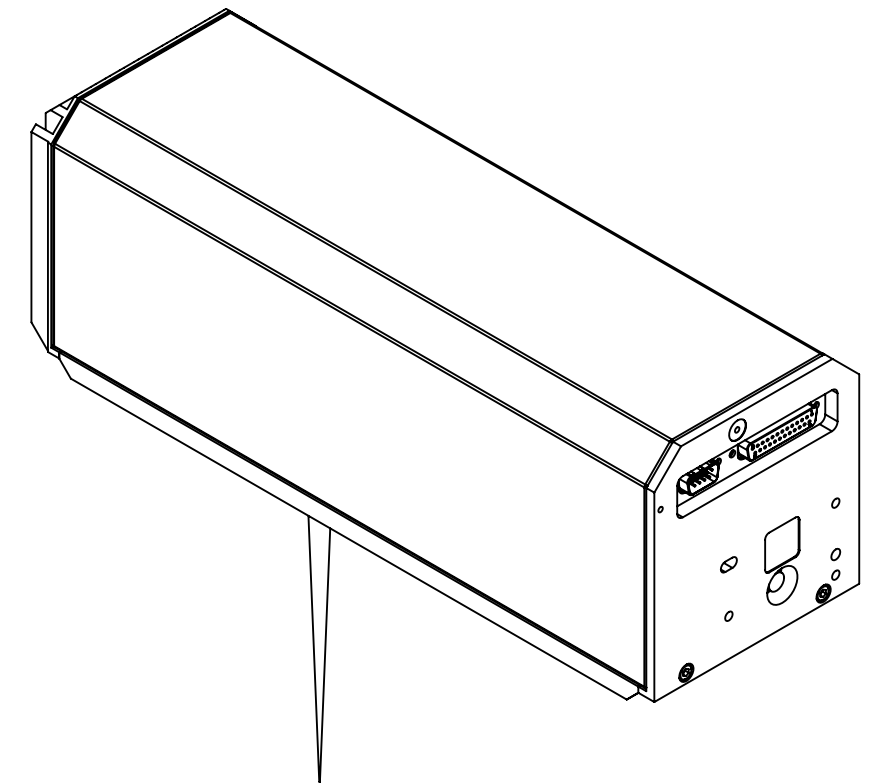
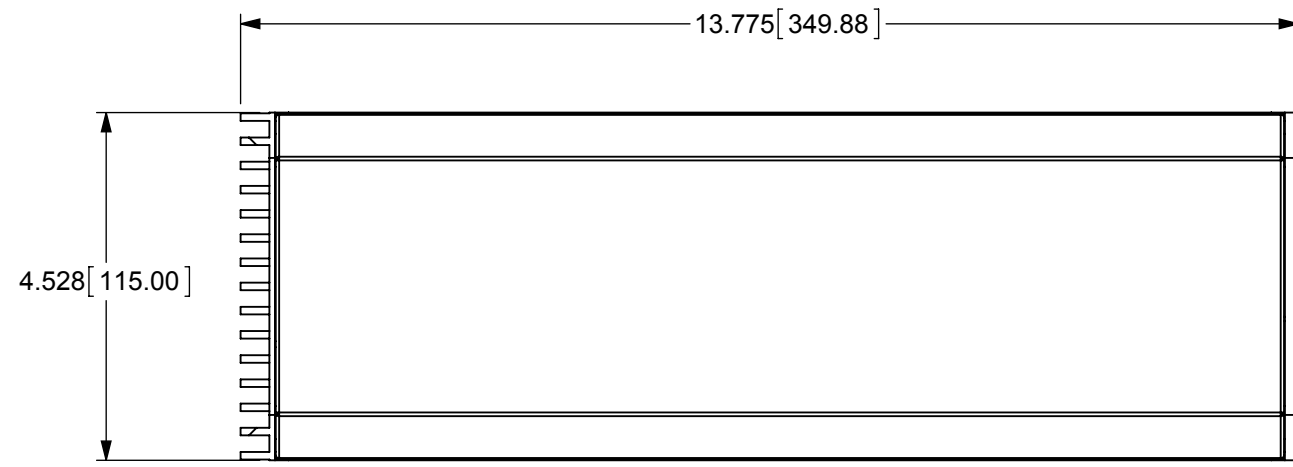


NOTICE - PROPRIETARY INFORMATION  
 THE DESIGN AND RELATED INFORMATION CONTAINED HEREIN IS THE SOLE PROPERTY OF NUTFIELD TECHNOLOGY, INC. THE DISCLOSURE OF THIS INFORMATION DOES NOT CONSTITUTE THE RELEASE OF ANY PROPRIETARY RIGHTS THEREIN. PERMISSION TO REPRODUCE THIS INFORMATION OR THE PRODUCTS DISCLOSED HEREIN MUST BE OBTAINED IN WRITING FROM NUTFIELD TECHNOLOGY, INC.



NOTES:  
 1. Configuration shown for Ø8.5mm YAG input beam, a 21µm spot size and □150mm mark field.

ALL DIMENSIONS ARE IN in[mm]

NUTFIELD TECHNOLOGY					
1 WALL STREET, SUITE 113, HUDSON, NH 03051					
TEL: 603.893.6200 FAX: 603.893.6214					
TITLE					
Outline Drawing, Contour					
20mm YAG					
SIZE	SHEET	DRAWN BY	DATE	DRAWING NUMBER	REV
+C	1 OF 1	SDM	4-8-14	82-2085	1+