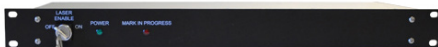
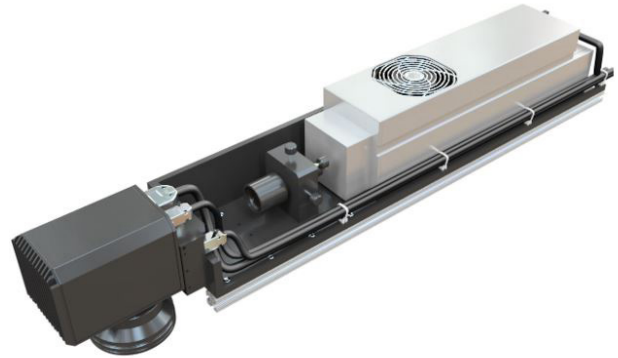


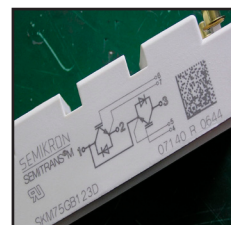
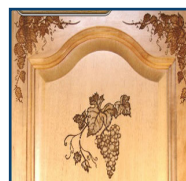
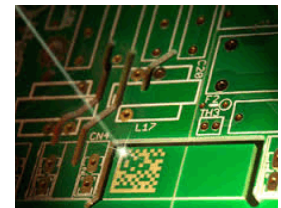
## GET YOUR UNIVERSAL CO<sub>2</sub> GALVO-BASED MARKING SYSTEM UP AND RUNNING IN MINUTES WITH THE LATEST IN HARDWARE AND SOFTWARE TECHNOLOGY.

Nutfield Technology has designed all the necessary components required to assemble and safely control a 25, 40, or 75 watt Universal OEM CO<sub>2</sub> Laser in a Class IV environment. Each kit comes complete with laser mounting platform, scan head, beam expander and lens assembly. Convenient access to all power and data cables and, with a center line optical path all the way through the scan head, alignment requirements are minimized. Kits can be configured based on application requirement for scan head aperture and f-theta lens based on spot and field size requirements.

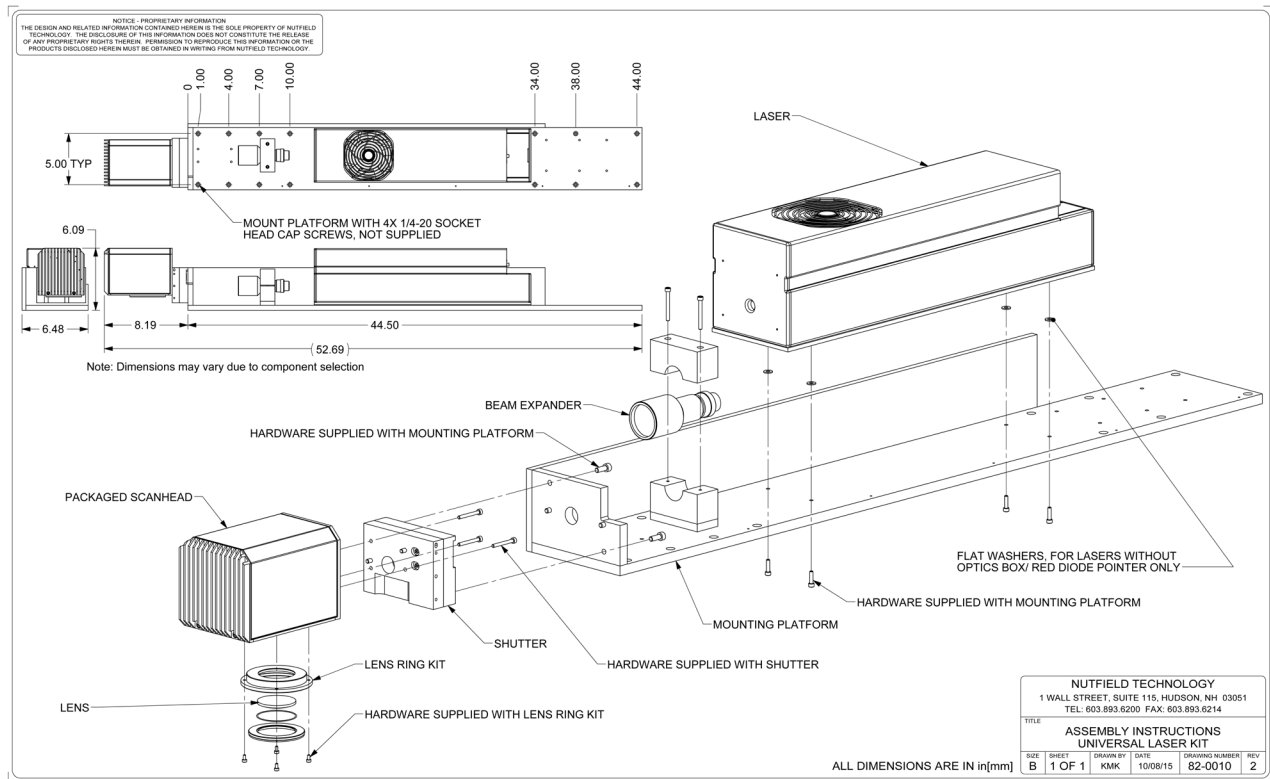


To operate the Universal XY2/100 Galvo Kit, Nutfield Technology offers a USB or Ethernet Control 1U platform. Nutfield Tech's Pipeline will synchronize and command the OEM Universal laser and scan head functions as well as the laser safety circuits and other input and output interfaces. The Pipeline GUI, WaveRunner Scan Control Software, is the industry's most robust feature-rich software; it can support all application requirements and it is free to download and explore. Purchase of the Pipeline, WaveRunner and CO<sub>2</sub> Kit will include stock cables and power supplies for a complete laser application solution.

The selection of a scan head, control board, f-theta lens and software is a time consuming process that needs to be analyzed and documented. As one of the industry's leaders, Nutfield Technology has refined this procedure using our state-of-the-art application lab, equipped with the latest in laser technology to aid each customer in developing their own system requirements. Since 1997, Nutfield Technology has led the way in application knowledge, expertise and hardware manufacturing for the most advanced galvanometer-based optical scanners, scan heads, laser control electronics and software products available.



## ASSEMBLY OF UNIVERSAL OEM LASER KIT



***Easily mounts to 80/20 aluminum extrusion!***

### LASER SAFETY GUIDELINES

It is the user's responsibility to insure that the following is understood:

1. Before installation or usage of a laser system, be aware of laser safety regulations.
2. During maintenance activities of laser systems, the laser safety classes may change. In such instances, take appropriate actions in advance.
3. Certified laser contains features to assist in safe usage. These protective features, including those within Nutfield Technology products, should not be defeated.

**NUTFIELD TECHNOLOGY PRODUCTS ARE DESIGNED TO PROVIDE MAXIMUM FLEXIBILITY AND EASE OF USE. PRIOR TO OPERATING ANY CONFIGURATION OF THE NUTFIELD TECHNOLOGY SCAN HEADS, MAKE A THOROUGH ANALYSIS OF SYSTEM SAFETY.**